



VHA18

18 PAN AMBIENT HOLDING & TRANSPORT CABINET



Model VHA18

STANDARD FEATURES

- Eighteen level holding and transport cabinet accepts eighteen 18" x 26" pans or thirty-six 12" x 20" pans, pans may be up to 2 3/4" tall
- Heavy duty 20 gauge polished stainless steel cabinet
- Set of 5" casters, two swivel with brakes and two rigid
- Full size polycarbonate door with field reversible heavy duty hinges, door latch mechanism, and gaskets
- Fixed interior pan supports are designed to accommodate pan covers for transporting, and are removable for easy cleaning
- One year limited parts and labor warranty

SPECIFICATIONS

Eighteen level holding and transport cabinet, Vulcan Hart Model No. VHA18. Heavy duty 20 gauge polished stainless steel cabinet. Four 5" casters, 2 swivel with brakes, 2 rigid. Polycarbonate door with heavy duty hinges, door latch mechanism, and gaskets. Interior pan supports are designed to accommodate pan covers for transporting, and are removable for easy cleaning. Accepts eighteen 18" x 26" pans or thirty-six 12" x 20" x 2 3/4" pans.

Exterior Dimensions: 25 1/4" W x 30 3/4" D x 71" H

UL listed. UL listed to Canadian safety standards



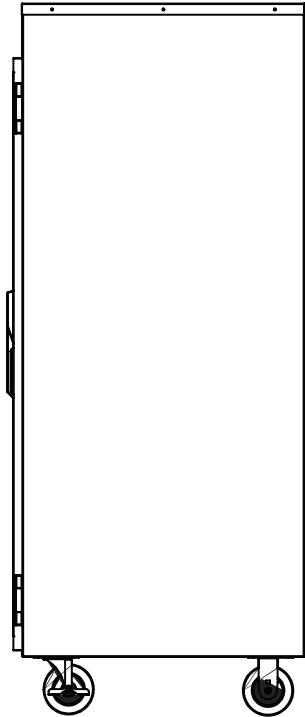
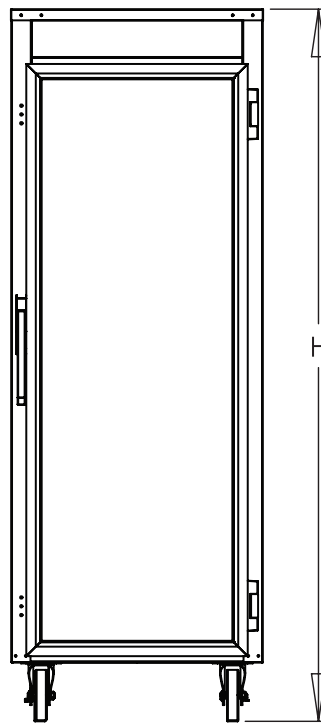
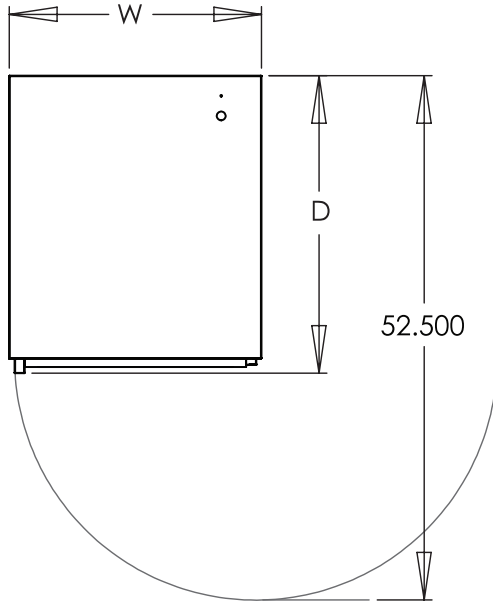
Vulcan & Wolf Range

a division of ITW Food Equipment Group LLC

P.O. Box 696 ■ Louisville, KY 40201 ■ Toll-free: 1-800-814-2028 ■ Local: 502-778-2791 ■ Quote & Order Fax: 1-800-444-0602



VHA18
18 PAN AMBIENT
HOLDING & TRANSPORT CABINET



CAPACITY		DIMENSIONS
18" X 26" PANS	12" X 20" PANS	EXTERIOR DIMENSIONS
18	36	25 1/4" W x 30 3/4" D x 71" H

Vulcan & Wolf Range reserves the right to change materials and specifications without notice.



Vulcan & Wolf Range
 a division of ITW Food Equipment Group LLC

P.O. Box 696 ■ Louisville, KY 40201 ■ Toll-free: 1-800-814-2028 ■ Local: 502-778-2791 ■ Quote & Order Fax: 1-800-444-0602